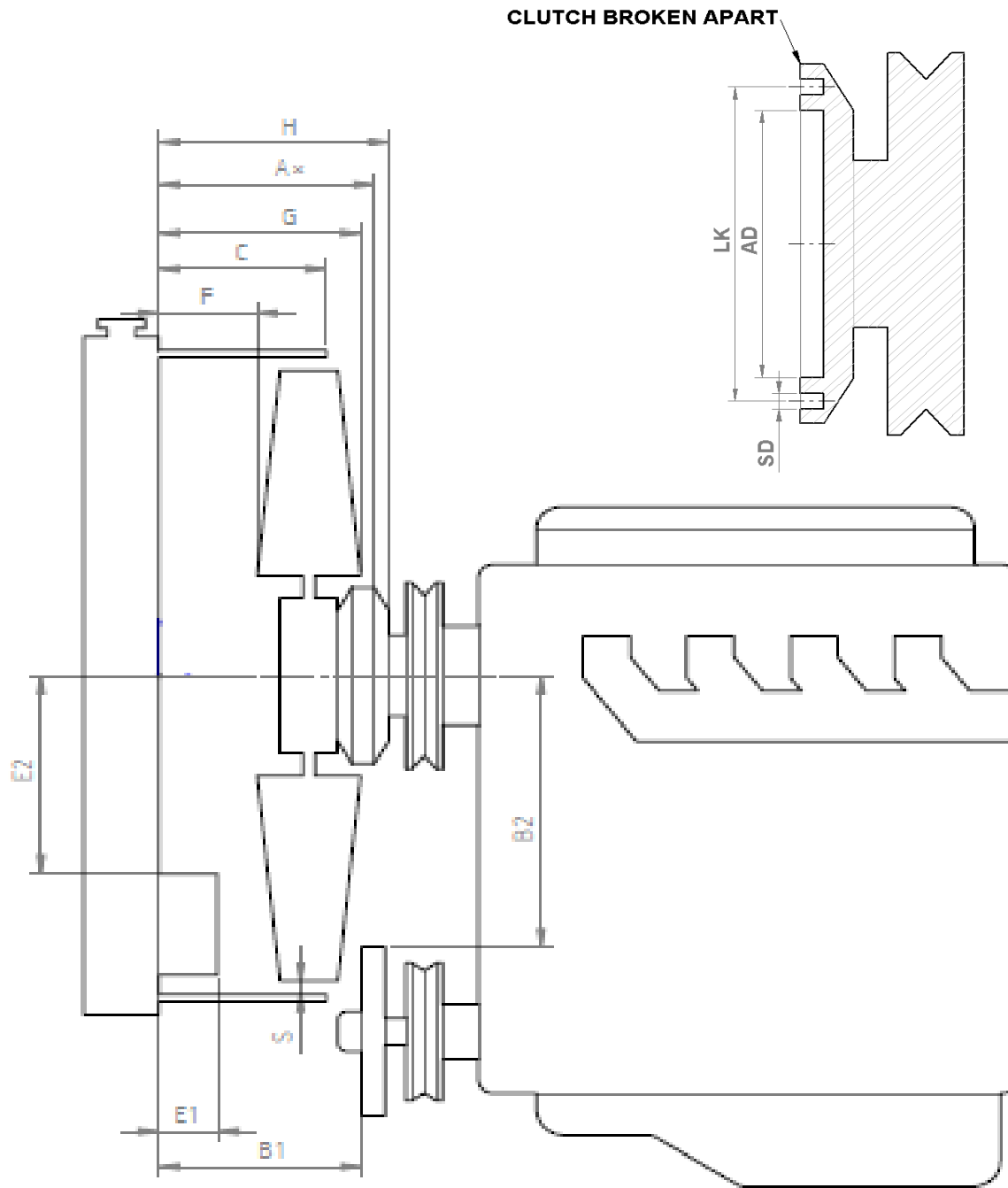


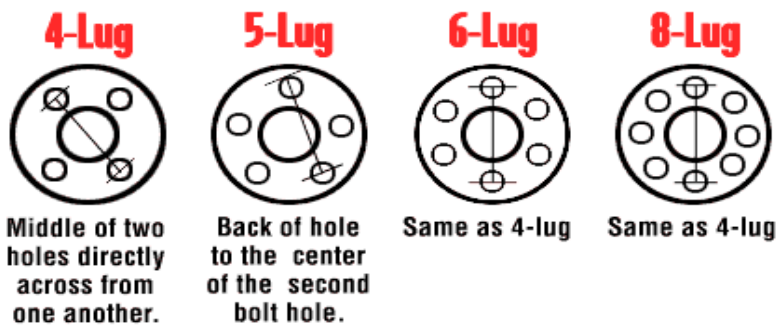
# Truck Dimension Sheet



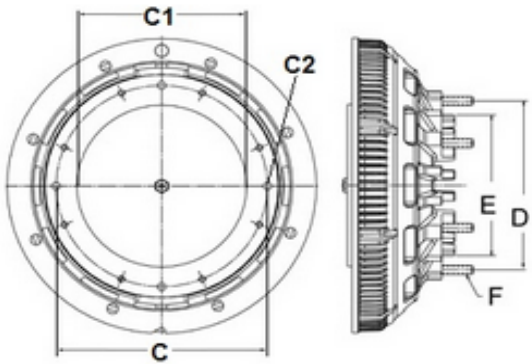
<b>Machine Information</b>			Today's Date		
Manufacturer/ Model			<b>Fan Information</b>		
Model Year			# of Blades		
Engine Manufacturer/ Model			Fan Type		
Machine Serial Number			<b>Fan Drive Information</b>		
Engine Serial Number			Clutch Manufacturer		
Electrical System Voltage		12V	24V	Clutch Part Number	
Compressed Air System		Yes	No	Bolt Circle ( <b>LK</b> )	
Horsepower			# Of Mounting Bolts		
			Mounting Bolts ( <b>SD</b> )		
			Pilot Diameter ( <b>AD</b> )		
			Pilot		
			Male		
			Female		
<b>Customer Information</b>					
Company Name			Zip/ Postal Code		
Company Address			Telephone Number		
City			Fax Number		
State / Province			Contact Name		
Country			Email Address		
Notes					
<b>***All Dimensions Should Use the same reference point at the Radiator***</b>					
DIM	Description			Measurement	
<b>A</b>	Distance from Radiator to Clutch Mounting Surface (if the clutch can be broken down) Eg. Horton Clutches				
<b>B1</b>	Distance from the Radiator to the closest object that could contact the fan blades on the engine side (Crank Pulley, Finger Guard, Brace, Etc)				
<b>B2</b>	Distance from the Center Line of the fan to the closest object referenced in dimension B1				
<b>C</b>	Shroud Depth				
<b>D</b>	Fan Diameter				
	Shroud Opening Diameter				
<b>E1</b>	Distance from the Radiator to the closest object that could contact the fan blades on the Radiator side (brace, Aspirator Tube, Hoses, Etc)				
<b>E2</b>	Distance from the Center Line of the fan to the closest object referenced in dimension E1				
<b>F</b>	Distance from the radiator to the front side of the fan blade				
<b>G</b>	Distance from the radiator to the back side of the fan blade				
<b>S</b>	Minimum Tip Clearance (distance from tip of fan blade to fan shroud)				
<b>H</b>	Distance from Radiator to Clutch Mounting Surface (If clutch can be removed) Eg. BorgWarner Clutches				



\*\*\*Measuring Bolt Circles\*\*\*



Removable **BorgWarner** Style Clutch



Col. Label	Value Name
C	CLUTCH PACK MTG BOLT DIAMETER
C1	CLUTCH PACK PILOT DIAMETER
C2	CLUTCH PACK MTG BOLT ORIENTATION
D	BOLT CIRCLE
E	FAN PILOT DIAMETER
F	MTG STUD LENGTH
F1	MTG STUD THREAD TYPE
TMfg	Truck Manufacturer

**Hotron** Clutch that can be broken down to Item #3

